



Product Overview

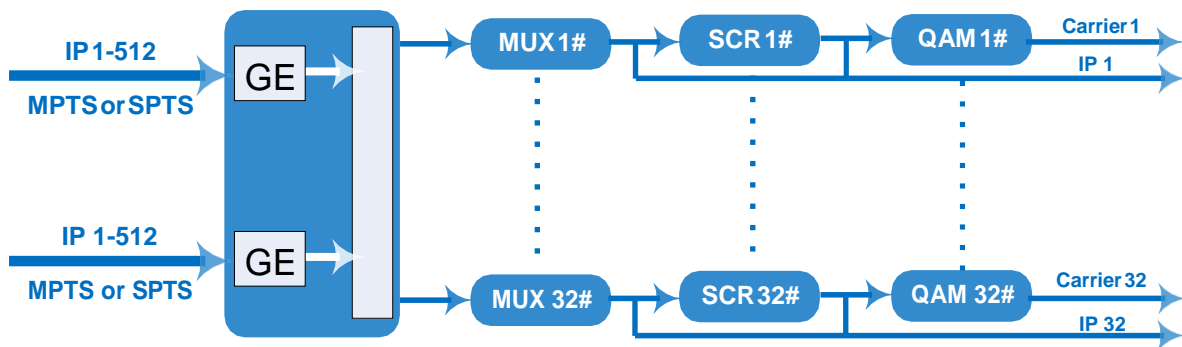
UW3232 IP Mux-Scrambling modulator is the latest generational Mux-scrambling-modulating all-in-one device developed by UN!WAY . It has 32 multiplexing channels, 32 scrambling channels and 32 QAM (DVB-C) modulating channels, and supports maximum 1024 IP input through the GE port and 32 non-adjacent carriers (50MHz~960MHz) output through the RF output interface. The device is also characterized with high integrated level, high performance and low cost. This is very adaptable to newly generation CATV broadcasting system.

Key Features

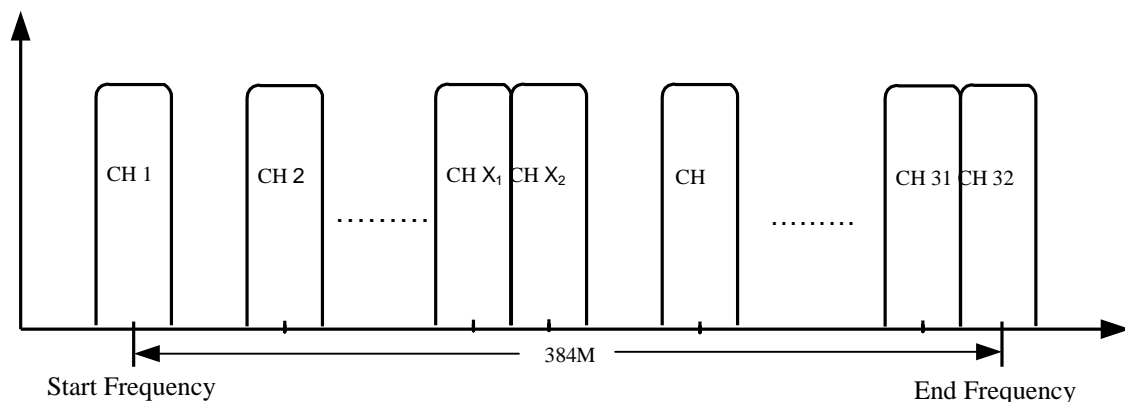
- **2 GE input, SFP interface**
- **Supports up to 1024 channels TS over UDP/RTP, unicast and multicast, IGMP v2\3**
- **Max 840Mbps for each GE input**
- **Supports accurate PCR adjusting**
- **Supports CA PID filtering, remapping and PSI/SI editing**

- Supports up to 180 PIDS remapping per channel
- Support DVB general scrambling system (ETR289), simulcrypt standards ETSI 101 197 and ETSI 103 197
- Support 32 multiplexed or scrambled TS over UDP/RTP/RTSP output
- 32 non-adjacent QAM carriers output, compliant to DVB-C (EN 300 429) and ITU-T J.83 A/B
- Supports RS (204,188) encoding
- Support Web-based Network management

Inner Principle Chart



Carrier Setting Illustration

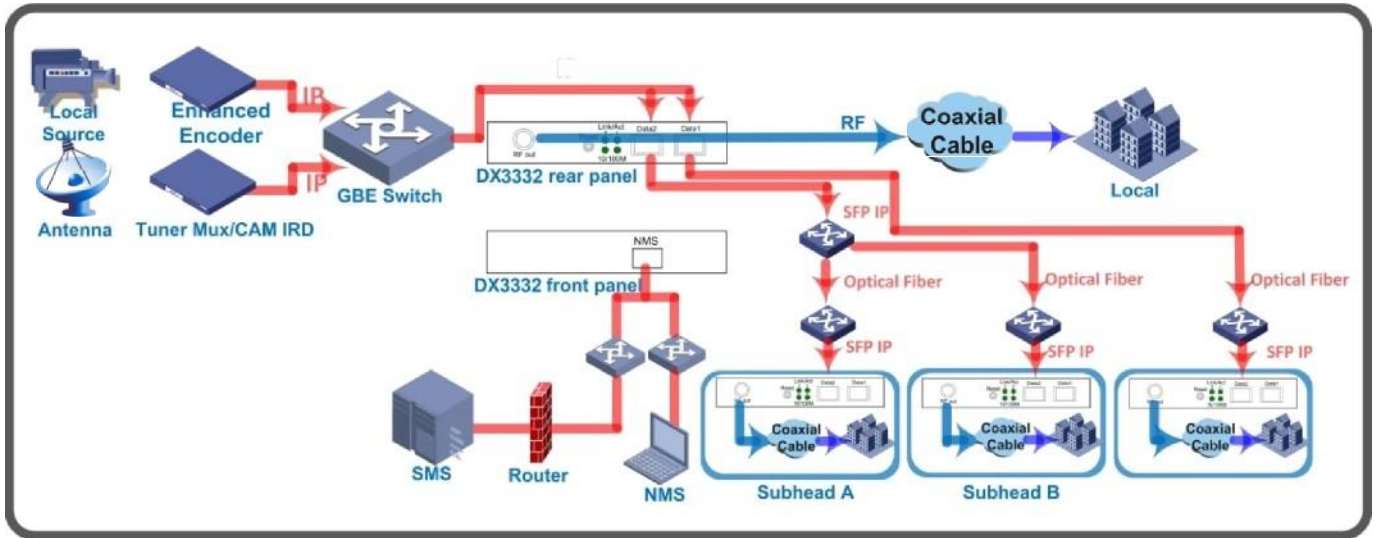


Specifications

Input	Input	512×2 IP input, 2*100/1000M Ethernet Port
	Transport Protocol	TS over UDP/RTP, unicast and multicast, IGMP

		V2/V3
	Transmission Rate	Max 840Mbps for each GE input
Mux	Input Channel	1024
	Output Channel	32
	Max PIDs	180 per channel
	Functions	PID remapping(auto/manually optional)
		PCR accurate adjusting
PSI/SI table automatically generating		
Scrambling Parameters	Max simulcrypt CA	4
	Scramble Standard	ETR289, ETSI 101 197, ETSI 103 197
	Connection	Local/remote connection
Modulation Parameters	QAM Channel	32 non-adjacent carrier
	Modulation Standard	EN300 429/ITU-T J.83A/B
	Symbol Rate	5.0~7.0Msps, 1ksps stepping
	Constellation	16, 32, 64 , 128, 256QAM
	FEC	RS (204, 188)
RF Output	Interface	1 F typed output port for 32 carriers, 75Ω
	RF Range	50~960MHz, 1kHz stepping
	Output Level	-20dBm~+10dBm(87~117dbμV), 0.1dB stepping
	MER	≥ 40dB
	ACLR	-60 dBc
TS output	32 IP output over UDP/RTP/RTSP, unicast/multicast, 2*100/1000M Ethernet Ports (SFP)	
System	Network management software (NMS) supporting	
General	Demission	420mm×440mm×44.5mm (WxLxH)
	Weight	3kg
	Temperature	0~45°C(operation), -20~80°C(storage)
	Power Supply	AC 100V±10%, 50/60Hz or AC 220V±10%, 50/60Hz
	Consumption	15.4W

System Connection Sample (IP Based)



UNIWAY INFOCOM, 3E1, Big Jos Tower, Netaji SubhashPlace, Pitampura, Delhi-110034, Phone: +91-9716424844, web:www.uniwayinfo.com, ema