



UNIWAY INFOCOM, 3E1, Big Jo's Tower, Netaji Subhash Place, Pitampura, Delhi-110034,
Phone: +91-9971074714, web:www.uniwayinfo.com, email:sales@uniwayinfo.com



MODULE 1

MODULE2

MODULE3

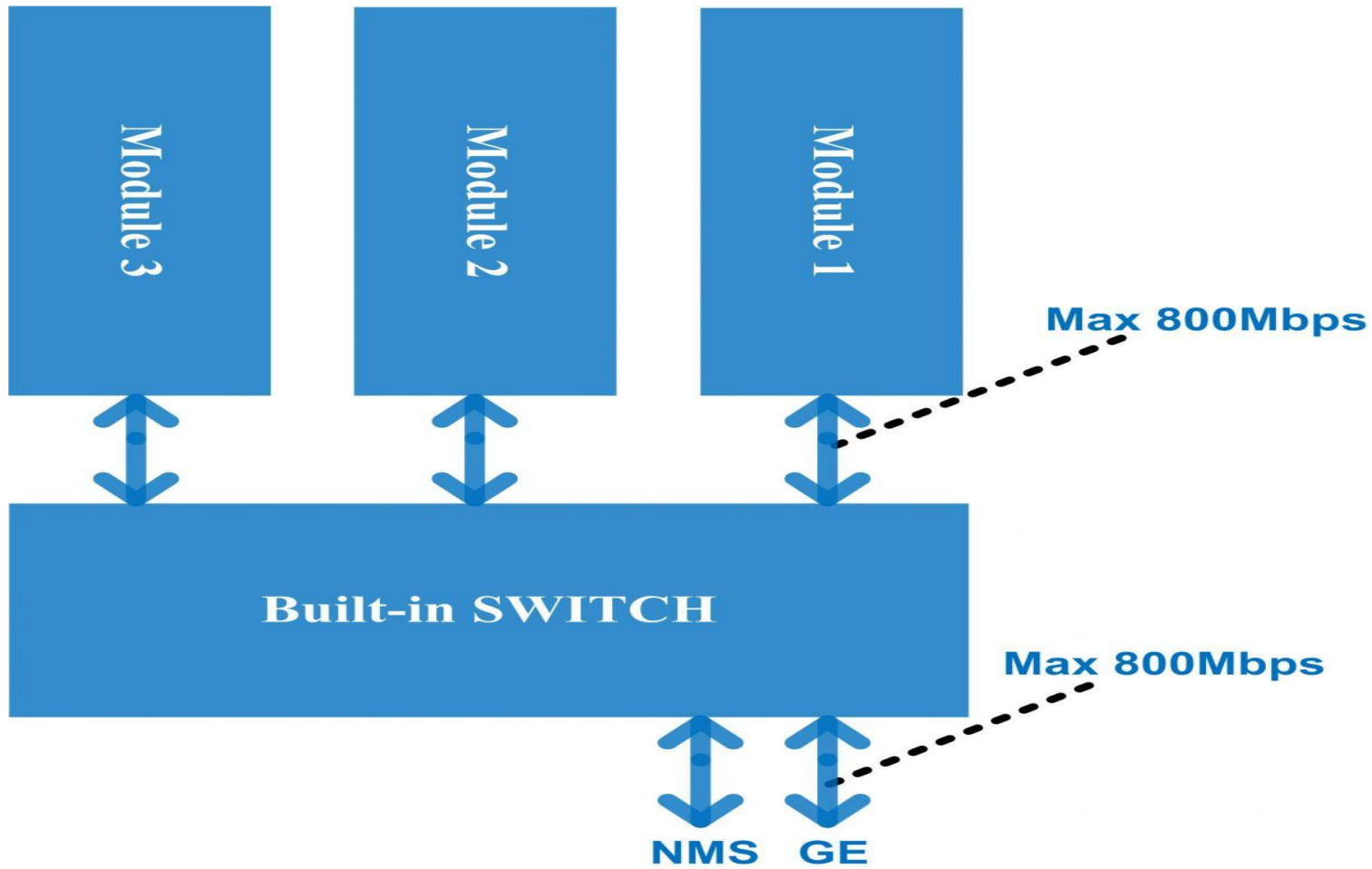
Product Outline

UW200 DTV head-end processor is the newest generation of professional head-end processing equipment. This 1-U case comes with 3 independent module slots, and it can be combined with different modules as your head-end system according to your operation requirements. Each module can be configured individually based on the applications including encoding, decoding, trans-coding, multiplexing, descrambling and modulating processing. UW200 head-end processor brings a whole new level of intelligence and high performance to the network at a cost effective price.

Key Features

- * Modularized plug-in design, 1U chassis and 3 slots
- * Support flexible combination of any different type of modules
- * Maximum 800M data processing
- * Support 1 GE bi-direction(Data port), RJ45 interface
- * Support Web management, Update via web

Principle Chart





UW200 WITH 64 TS QAM (32+32)

UNIWAY INFOCOM, 3E1, Big Jo's Tower, Netaji Subhash Place, Pitampura, Delhi-110034,
Phone: +91-9971074714, web:www.uniwayinfo.com, email:sales@uniwayinfo.com



64 TS QAM (32TS+32TS)---2*UW3332



Module Specifications:

Data input: 128 IP input from front panel Data port

Max 2*1024 IP input over UDP/RTP, 2 GE Ports (RJ45/SFP) ---UW332+UW332

Data output: 2*32 IP output over UDP/RTP/RTSP, unicast/multicast, 2*2 GE Ports (RJ45/SFP)

Trans Rate: Max 840Mbps/GE Port

RF output (F type): 2*32 channels of multiplexing, scrambling and modulating

**Multiplexing:**

Maximum 2*256 output pids per channel ---UW332+UW332

Function: PID remapping (automatically or manually), Accurate PCR adjusting, generate PSI/SI table automatically

Scrambling:

Maximum simulcrypt CA: 6

Standard: ETR289, ETSI 101 197, ETSI 103 197

Connection: Local/remote connection

Modulation:

Standard: EN300 429/ITU-T J.83A/B (DVB-C)

MER: ≥ 40 db

RF frequency: 50~960MHz, 1KHz step

RF output level: -20~+10dbm (87~117 db μ V), 0.1db step for all carriers

Symbol Rate: 5.0Msps~7.0Msps, 1ksps stepping

Constellation: 16/32/64/128/256QAM

2*32 non-adjacent carrier outputs within 384M bandwidth---UW332+UW332